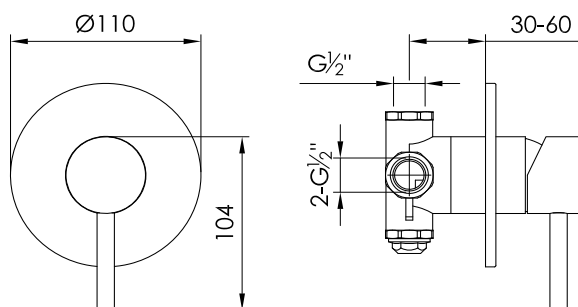




JEE-O slimline mixer 01 specifications



Note:
UV radiation and extreme temperature
can affect the color and structure of the
surface of the **structured BLACK** version.

Article code:	800-2100 (brushed finish) 800-2101 (polished finish) 800-2103 (structured BLACK finish)	Dimension package:	L 23 x W 15 x H 16 cm
Material:	Stainless Steel r304	Weight:	1,26 kg / 2.8 lbs
Cartridge:	No	Package weight:	0,27 kg / 0.6 lbs
Cleaning:	JEE-O protect	2 year warranty	
Connection:	2 x G 1/2"	HS code: 84818011900	