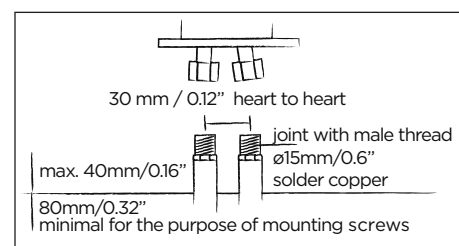
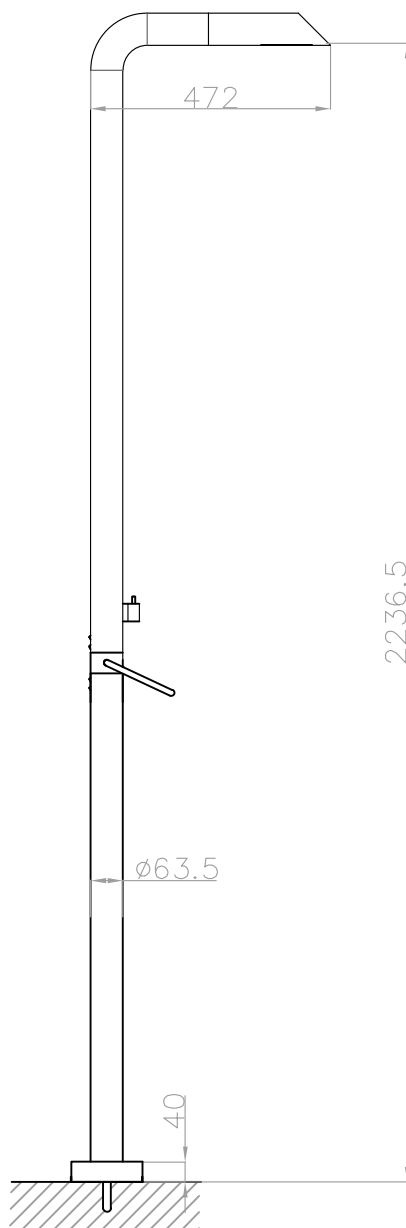
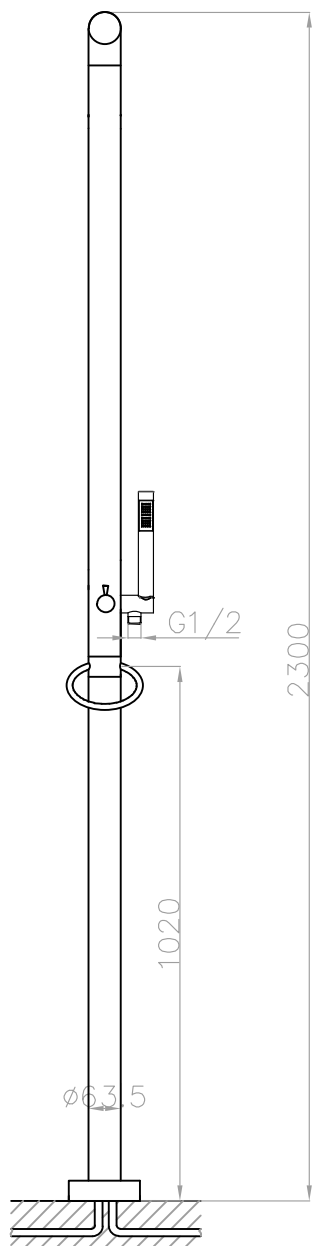




JEE-O pure shower 02 specifications

by Lammer Moerman



Article code: **300-6210** (brushed)
300-6211 (polished)

Material: Stainless Steel r304
 Cartridge: Sedal ceramic mixing mechanism (35mm)
 Ceramic diverter mechanism

Cleaning: JEE-O protect
 Connection: nylon^(out)/epdm⁽ⁱⁿ⁾ flexhose
 with brass swivel

Flexhose: 150 cm length

Flow at water of 38°C / 100,4°F: N/A

Dimension package: L 158 x W 18 W 54 x H 21 cm

Total weight: 13.1 kg / 29.0 lbs
 Package weight: N/A

Placing on a water-tight floor

2 year warranty

HS code: 84818011900

