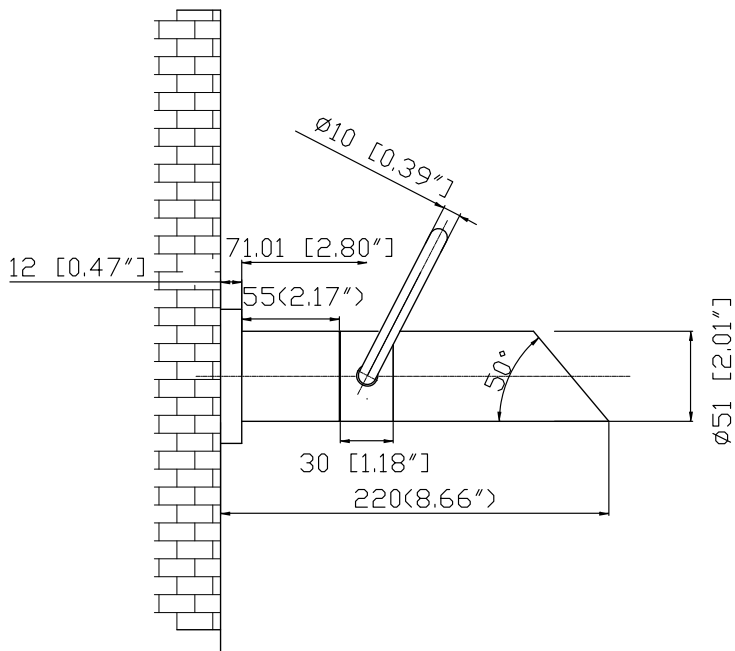
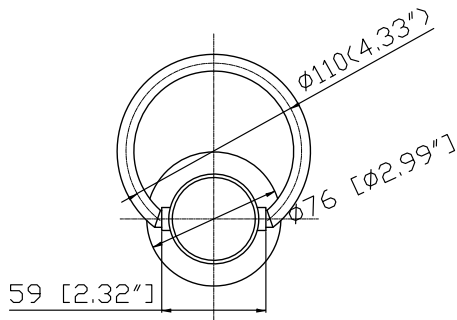




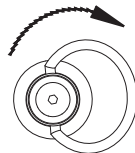
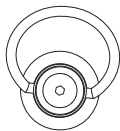
# JEE-O pure basin wall specifications

by Lammer Moerman



middle off

right water flow



Article code: **300-1500** (brushed)  
**300-1501** (polished)

Material: Stainless Steel r304  
 Cartridge: Kerox ceramic mixing mechanism (progressive)

Cleaning: JEE-O protect  
 Connection:  $\varnothing 15\text{mm}$  / 0.6"

Flow at water of 38°C / 100,4°F: 9l / 2.4gal p/m at 3bar presure

Dimension package: L 38 x W 27 x H 16 cm

Total weight: 2.6 kg / 5.7 lbs  
 Package weight: 0.4 kg / 0.9 lbs

2 year warranty

HS code: 84818011900