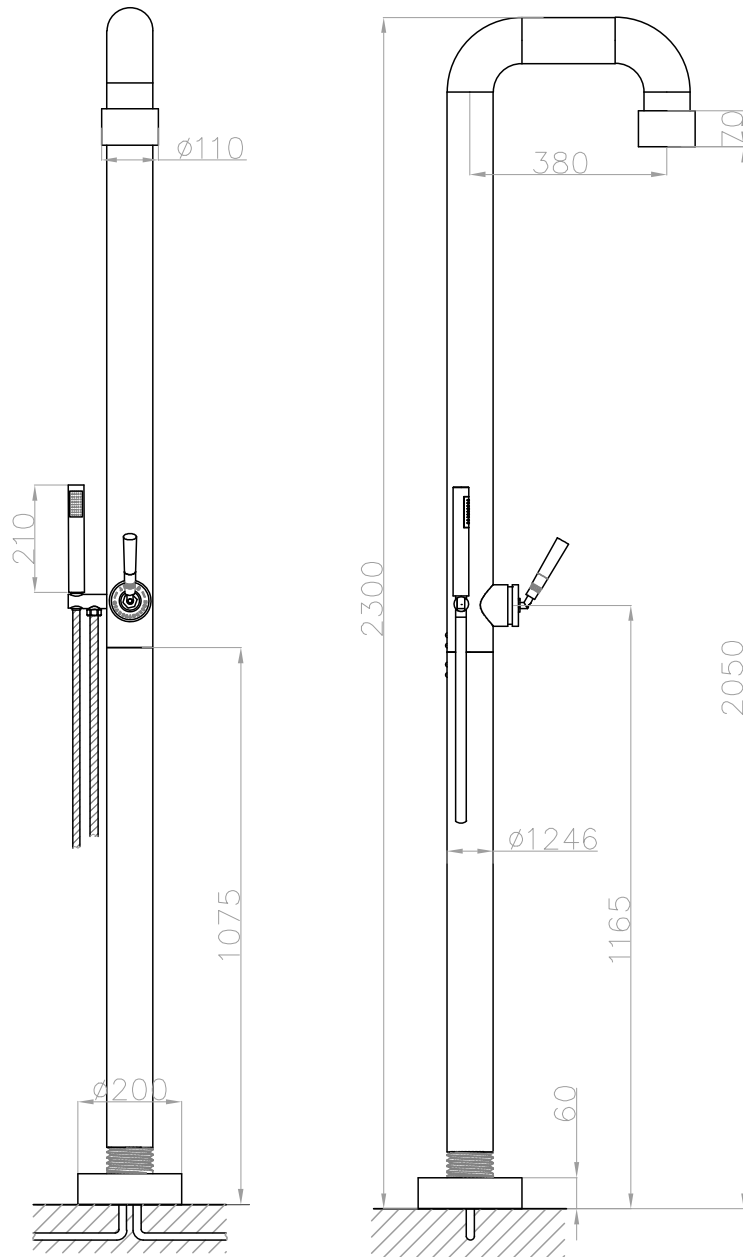
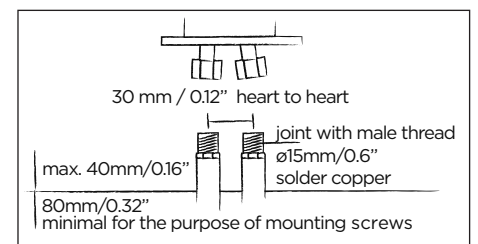
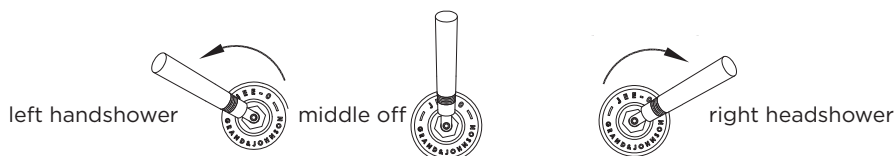




JEE-O soho shower 02 specifications



Note:
UV radiation and extreme temperature can affect the color and structure of the JEE-O soho shower 02 surface.



Article code: **700-6212**

Material: Stainless Steel r304
Coating: hammercoat black (1.5) Electro powder spray
Cartridge: Kerox ceramic mixing mechanism (progressive)

Cleaning: cleaning vinegar or alcohol
Connection: nylon^(out)/epdm⁽ⁱⁿ⁾ flexhose with brass swivel

Flexhose: 150 cm length

Flow at water of 38°C / 100,4°F: 10l / 2,6gal p/m at 3bar pressure

Dimension package: L 150 x W 58 x H 20 cm

Total weight: 19.4 kg / 41.9 lbs
Package weight: 3.6 kg / 7.9 lbs

Placing on a water-tight floor

2 year warranty

HS code: 84818011900

SLS BS EN 817, SS 375, AS/NZS 4020, BS EN