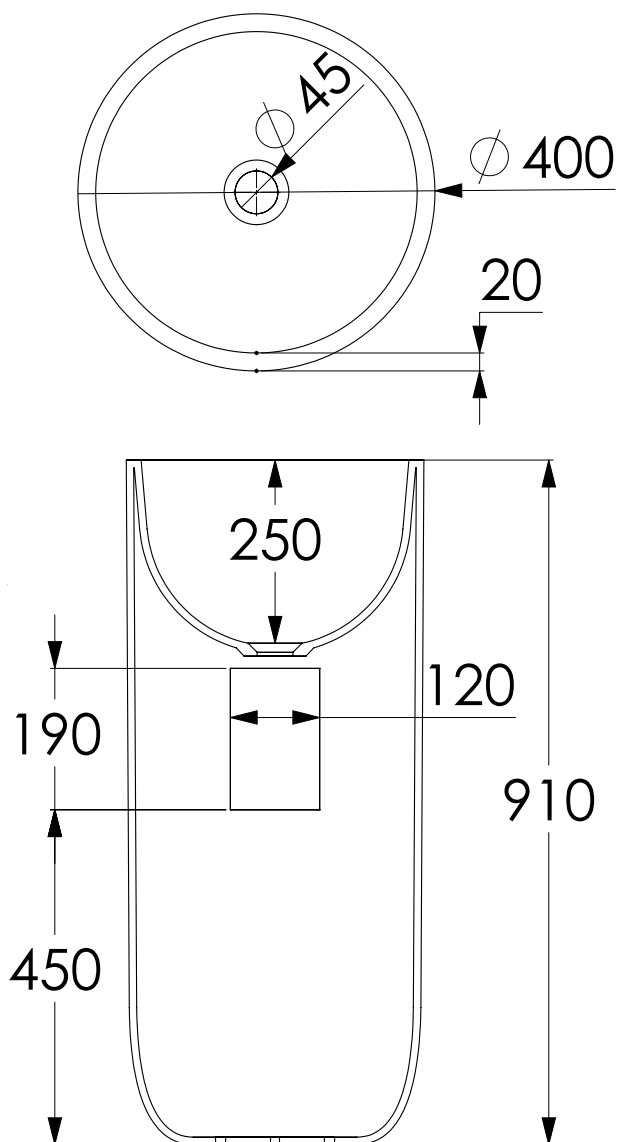




JEE-O flow high specifications



Article code:	SWMBAS72	Dimension package:	L 500 x W 500 x H 1000 mm
Material:	DADOquartz - Scratch & abrasion resistant	Package weight:	5kg
Color:	Pearl white matt finish	UV stability:	6 / BSEN438
Waste diameter:	40mm	25 year warranty	
Dimensions:	L 400 x W 400 x H 920 mm	HS code:	69109000
Basin rim:	20-25mm		
Net weight:	25kg		

Note: cast products are subject to size variation of +/- 5 %

