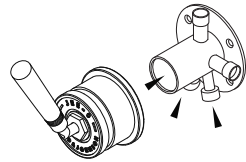
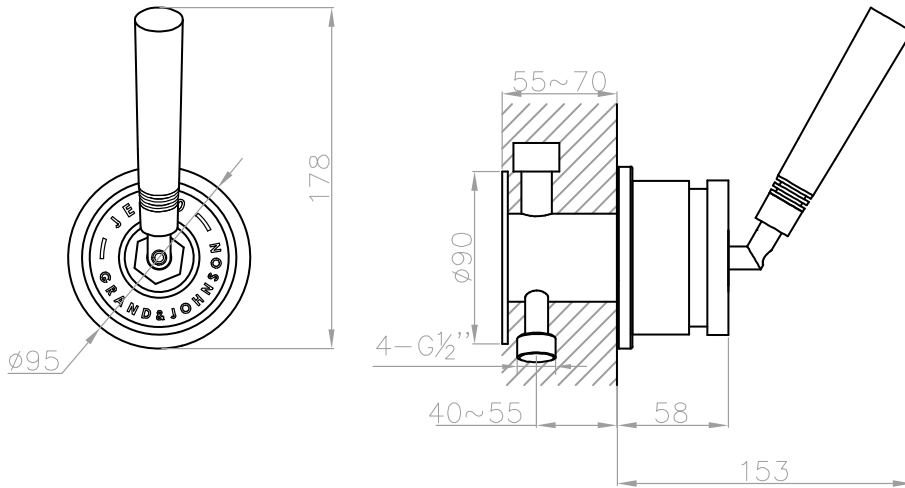




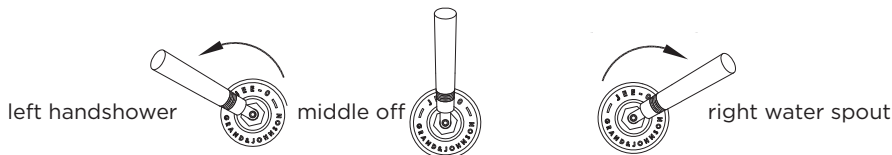
# JEE-O soho mixer specifications two way valve version



inlet hot    inlet cold



Note:  
UV radiation and extreme temperature  
can affect the color and structure of the  
JEE-O soho surface.



Article code:	<b>700-2202</b> <b>700-2200</b> (RAW version)	Dimension package:	L 28 x W 20 x H 14 cm
Material:	Stainless Steel r304	Total weight:	2.8 kg / 6.2 lbs
Coating:	hammercoat black (1.5) Electro powder spray	Package weight:	0.3 kg / 0.7lbs
Cartridge:	Kerox ceramic mixing mechanism (progressive), item code <b>005-0203</b>		2 year warranty
Cleaning:	cleaning vinegar or alcohol		HS code: 84818011900
Connection:	4 x G 1/2" (ø15mm / 0.6")		
Thread:	British Standard Pipe (BSP)		
Flow at water of 38°C / 100,4°F:	10l / 2,6gal p/m at 3bar presure		