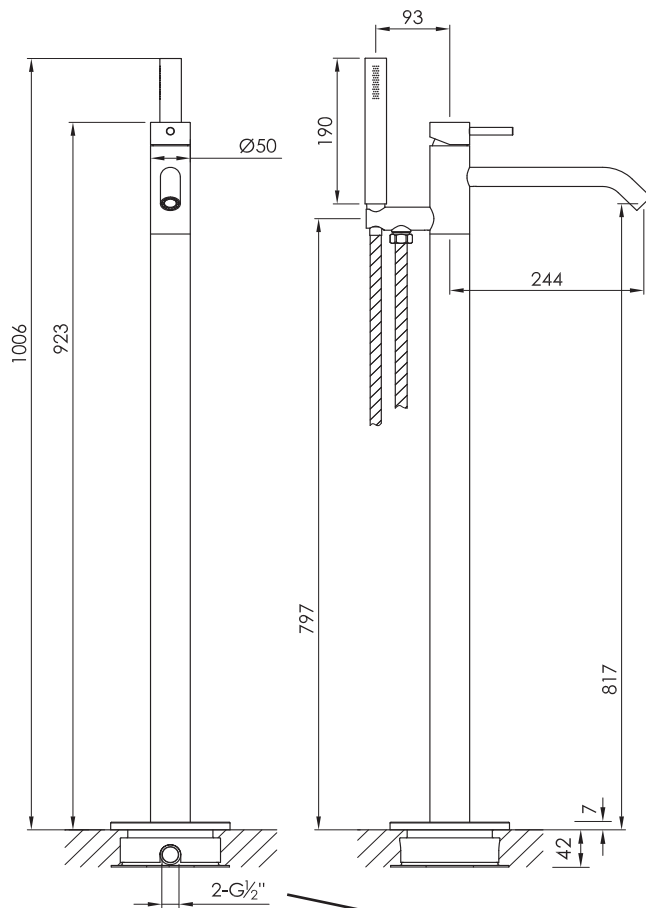






JEE-O slimline bath mixer O2 specifications



Note:
UV radiation and extreme temperature can affect the color and structure of the surface of the structured black version



| | | | |
|----------------------------------|---|--------------------------------|--|
| Article code: | 800-3010  brushed stainless steel 800-3013  structured black stainless steel | Connection: Thread: | 2 x G 1/2" (ø15mm / 0.6") British Standard Pipe (BSP) |
| Material: | Stainless Steel r304 | Dimension package: | L 110 x W 42 x H 13 cm |
| Cartridges: | Kerox ceramic mixing mechanism (progressive) with diverter, item code 005-0204 | Total weight: | 7.7 kg |
| Cleaning: | JEE-O protect | Package weight: | 1.6 kg |
| Flow at water of 38°C / 100,4°F: | 11L /p/m at 3bar presure | Placing on a water-tight floor | |
| | | 2 year warranty | |
| | | HS code: | 84818011900 |

