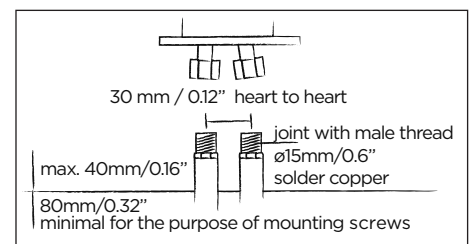
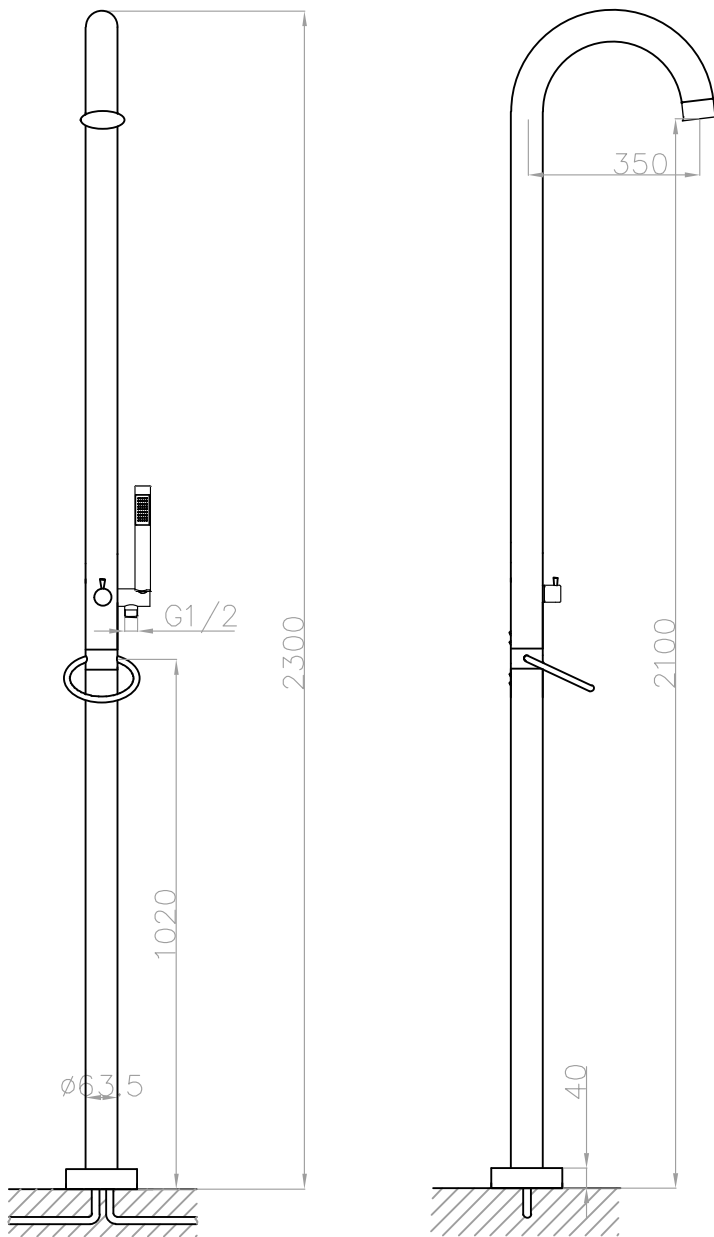




JEE-O original shower 02 specifications



Article code: **100-6210** (brushed)
100-6211 (polished)

Material: Stainless Steel r304
Cartridge: Sedal ceramic mixing mechanism (35mm)
Ceramic diverter mechanism

Cleaning: JEE-O protect
Connection: nylon^(out)/epdm⁽ⁱⁿ⁾ flexhose
with brass swivel

Flexhose: 150 cm length

Flow at water of 38°C / 100,4°F: 12l / 3,2gal p/m at 3bar pressure

Dimension package: L 158 x W 18 W 54 x H 21 cm

Total weight: 13.2 kg / 29.1 lbs
Package weight: 2.0 kg / 4.4 lbs

Placing on a water-tight floor

2 year warranty

HS code: 84818011900

SLS BS EN 817, SS 375, AS/NZS 4020, BS EN

