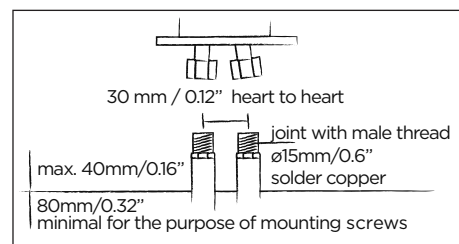
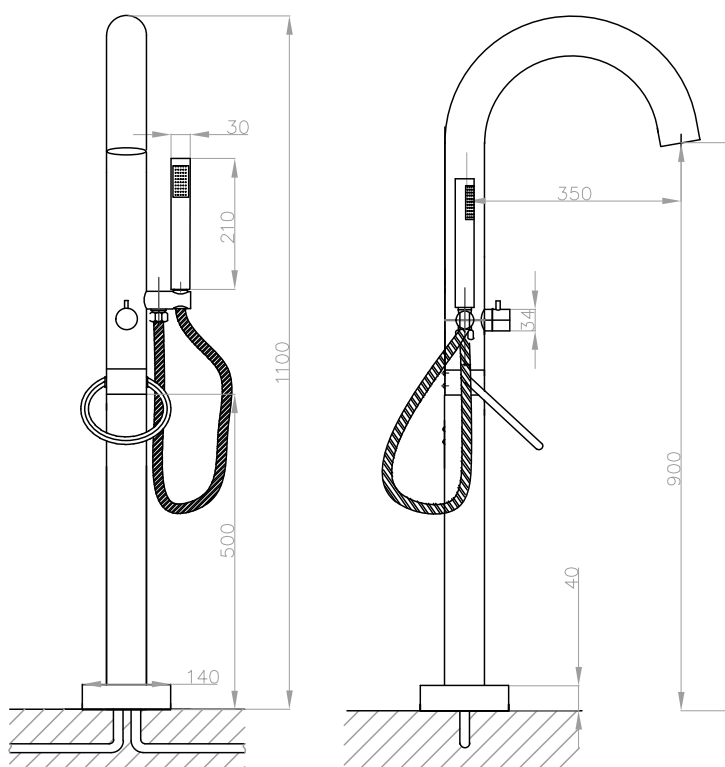




# JEE-O original bath specifications



Article code: **100-3110** (brushed)  
**100-3111** (polished)

Material: Stainless Steel r304  
Cartridge: Sedal ceramic mixing mechanism (35mm)  
Ceramic diverter mechanism

Cleaning: JEE-O protect  
Connection: nylon<sup>(out)</sup>/epdm<sup>(in)</sup> flexhose  
with brass swivel

Flexhose: 150 cm length

Flow at water of 38°C / 100,4°F: 10l / 2.6gal p/m at 3bar pressure

Dimension package: L 68 x W 53 x H 21 cm

Total weight: 10.0 kg / 22.1 lbs  
Package weight: 1.5 kg / 3.3 lbs

Placing on a water-tight floor

2 year warranty

HS code: 8481801900  
CE-EN 200-2008

