

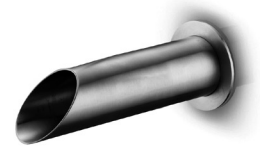
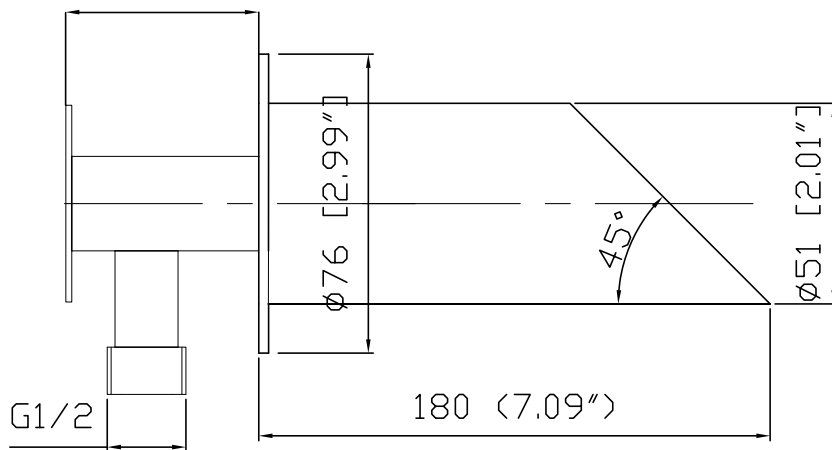


JEE-O by DADO

# JEE-O pure spout specifications

by Lammerit Moerman

51-70 [2.01" - 2.76"]



Article code: **300-3900** (brushed)  
**300-3901** (polished)

Material: Stainless Steel r304

Cleaning: JEE-O protect  
Connection: 2 x G 1/2" (ø15mm / 0.6")  
Thread: British Standard Pipe (BSP)

Dimension package: L 27 x W 19 x H 14 cm

Total weight: 1.3 kg / 3.0 lbs  
Package weight: 0.4 kg / 0.9 lbs

2 year warranty

HS code: 84818011900