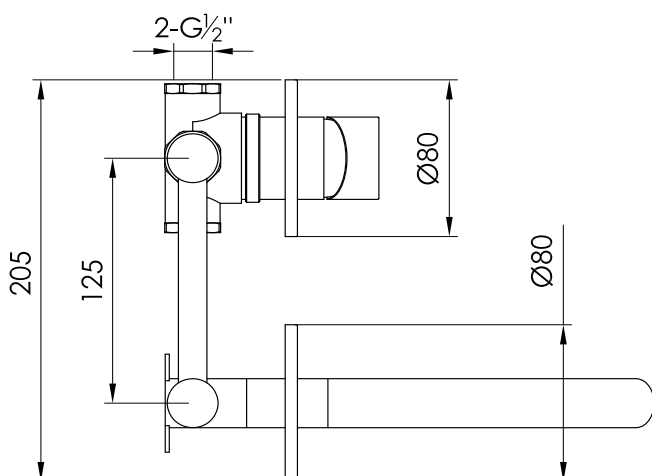
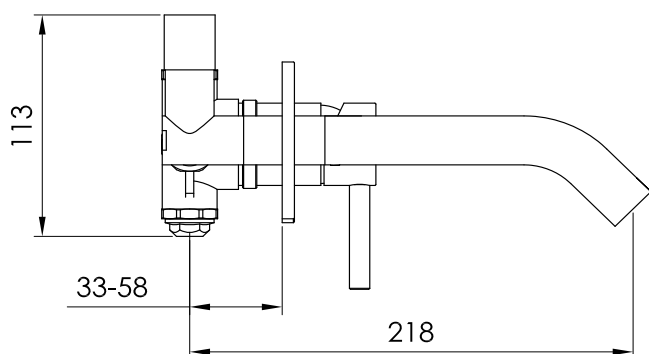




# JEE-O slimline basin wall specifications



Note:  
UV radiation and extreme temperature  
can affect the color and structure of the  
surface of the **structured BLACK** version.

Article code: **800-1500** (brushed finish)  
**800-1501** (polished finish)  
**800-5103** (structured BLACK finish)

Material: Stainless Steel r304  
Cartridge: Sedal ceramic mixing mechanism (40 mm)

Cleaning: JEE-O protect  
Connection: 2 x G 1/2"

Dimension package: L 45 x W 27 x H 14cm

Weight: 2.1 kg / 4.7 lbs  
Package weight: 0.6kg / 1.3 lbs

2 year warranty  
HS code: 84818011900