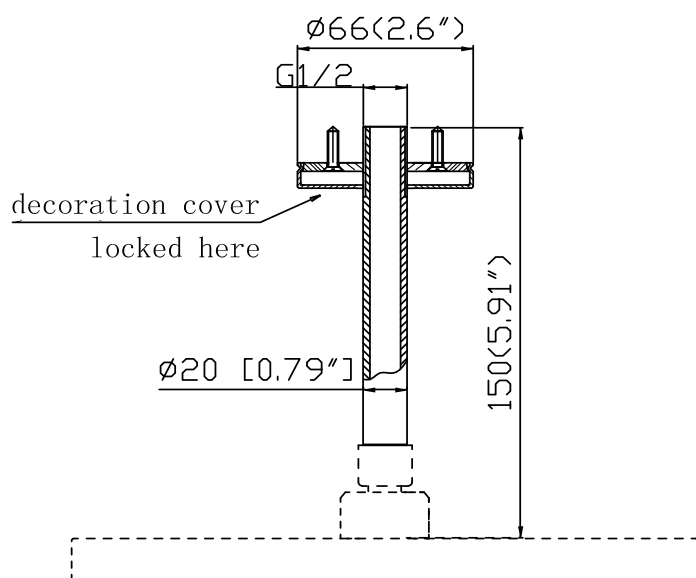




JEE-O slimline ceiling 15 specifications



Note:
UV radiation and extreme temperature
can affect the color and structure of the
surface of the **structured BLACK** version.

Article code: **801-6810** (brushed finish)
801-6811 (polished finish)
801-6813 (structured BLACK finish)

Material: Stainless Steel r304
Cartridge: No

Cleaning: JEE-O protect
Connection: G 1/2"

Dimension package: L 15 x W 7 x H 8 cm

Weight: 0.4 kg / 0.9 lbs
Package weight: 0.3 kg / 0.7 lbs

2 year warranty

HS code: 84818011900

Note: to complete with JEE-O slimline shower head