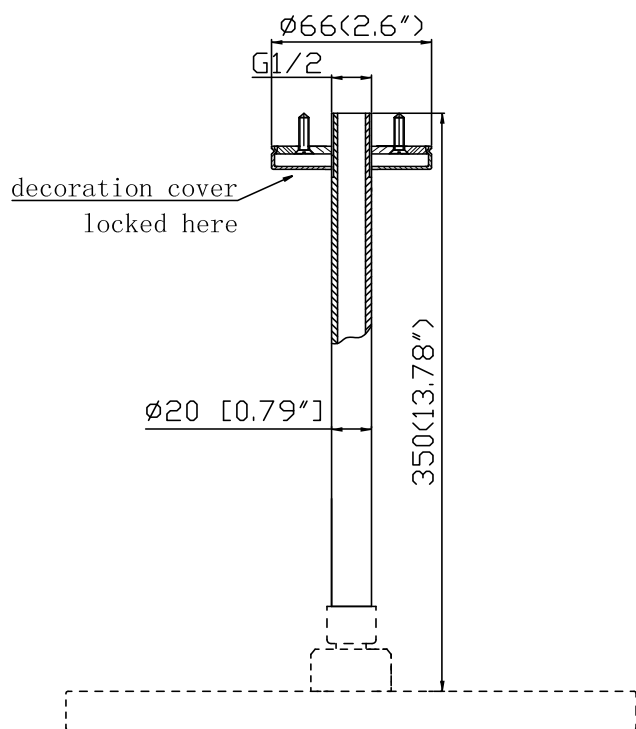




JEE-O slimline ceiling 35 specifications



Note:
UV radiation and extreme temperature
can affect the color and structure of the
surface of the **structured BLACK** version.

Article code: **801-6830** (brushed finish)
801-6831 (polished finish)
801-6833 (structured BLACK finish)

Dimension package: L 35 x W 7 x H 8 cm

Weight: 0.4 kg / 0.9 lbs
Package weight: 0.3 kg / 0.7 lbs

Material: Stainless Steel r304
Cartridge: No
Cleaning: soapwater or alcohol
Connection: G 1/2"

2 year warranty
HS code: 8481801900

Note: to complete with JEE-O slimline shower head