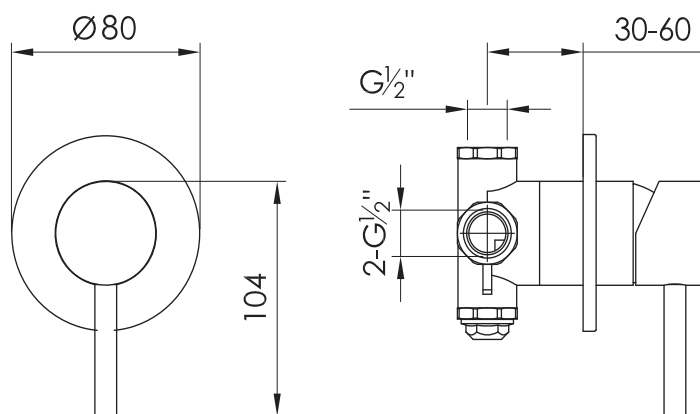




JEE-O by DADO

JEE-O slimline mixer O1 small specifications



Note:
UV radiation and extreme temperature
can affect the color and structure of the
surface of the **structured BLACK** version.

| | | | |
|---------------|---|--------------------|-----------------------|
| Article code: | 800-2400 (brushed finish) 800-2403 (structured BLACK finish) | Dimension package: | L 23 x W 15 x H 16 cm |
| Material: | Stainless Steel r304 | Weight: | 1,26 kg / 2.8 lbs |
| Cartridge: | Sedal ceramic mixing mechanism (40mm), item code 005-0102 | Package weight: | 0,27 kg / 0.6 lbs |
| Cleaning: | JEE-O protect | | 2 year warranty |
| Connection: | $3 \times G\frac{1}{2}''$ ($\text{Ø}15\text{mm}$ / 0.6") | | HS code: 84818011900 |
| Thread: | British Standard Pipe (BSP) | | |