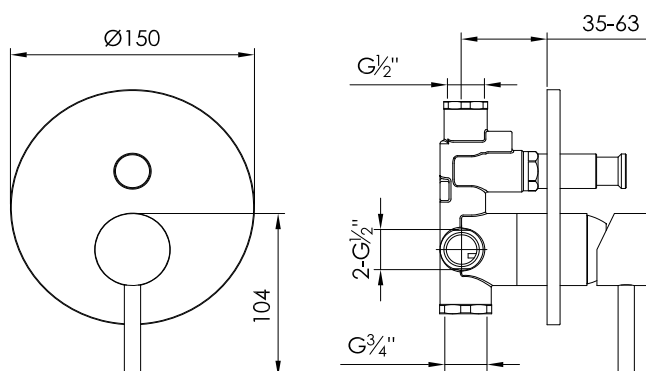




# JEE-O slimline mixer O2 specifications



Note:  
UV radiation and extreme temperature  
can affect the color and structure of the  
surface of the **structured BLACK** version.

Article code: **800-2200** (brushed finish)  
**800-2201** (polished finish)  
**800-2203** (structured BLACK finish)

Material: Stainless Steel r304  
Cartridge: No

Cleaning: JEE-O protect  
Connection: 1 x G 3/4" + 3 x G 1/2"

Dimension package: L 22 x W 18 x H 19 cm

Weight: 1.82 kg / 4.01 lbs  
Package weight: 0.42 kg / 0.9 lbs

2 year warranty

HS code: 84818011900