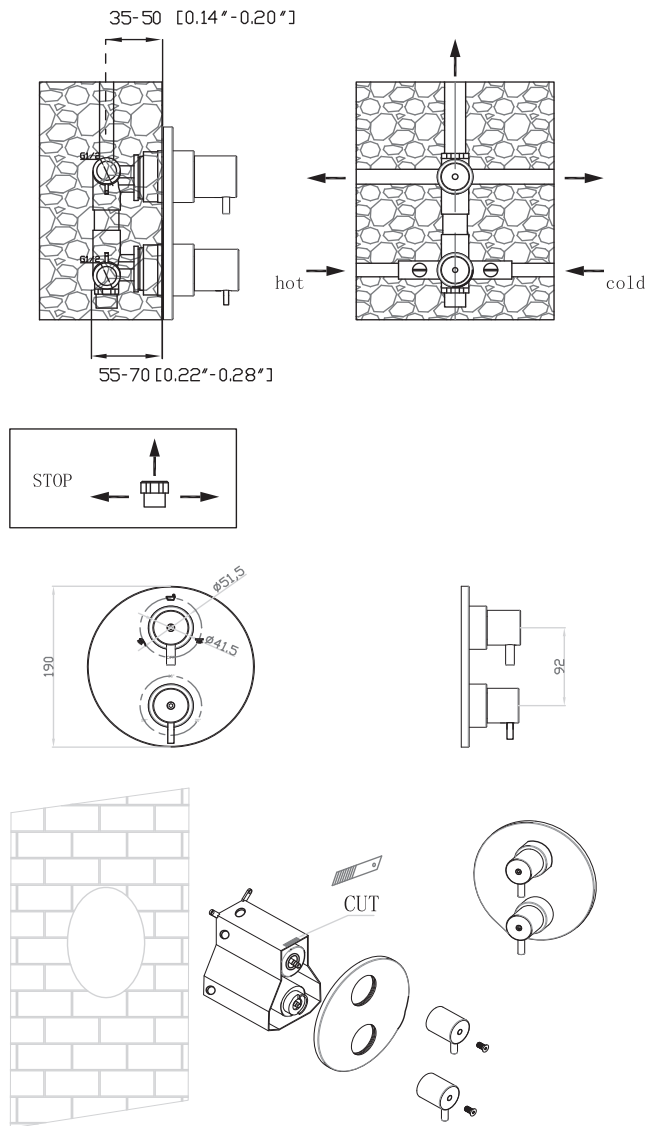




# JEE-O slimline mixer TH specifications

JEE-O by DADO



Note:  
UV radiation and extreme temperature  
can affect the color and structure of the  
surface of the **structured BLACK** version.

Article code: **800-2300** (brushed finish)  
**800-2301** (polished finish)  
**800-2303** (structured BLACK finish)

Material: Stainless Steel r304  
 Cartridges: **Vernet mixing mechanism (thermostatic), item code 005-0501** and Fluhs ceramic diverter mechanism, item code **005-0601**

Cleaning: JEE-O protect  
 Connection: 2 x G 1/2" (ø15mm / 0.6") in  
 3 x G 1/2" (ø15mm / 0.6") out

Dimension package: L 21 x W 20 x H 16,5 cm  
 Weight: 3.3kg / 7.3 lbs  
 Package weight: 0.3kg / 0.6 lbs

2 year warranty  
 HS code: 84818011900

Flow at water of 38°C / 100,4°F: N/A