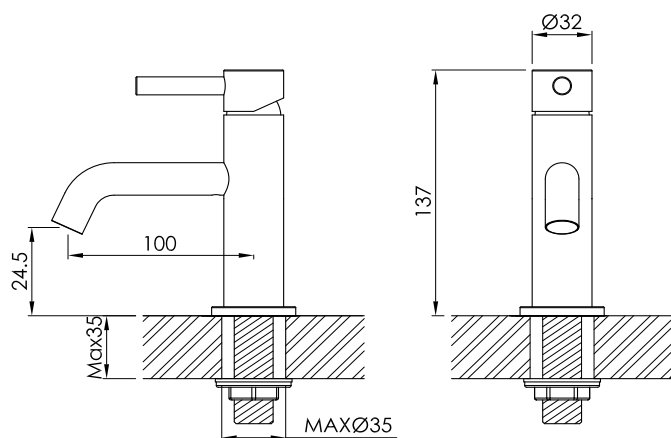




# JEE-O slimline pillar tab specifications



Note:  
UV radiation and extreme temperature  
can affect the color and structure of the  
surface of the **structured BLACK** version.

Article code: **800-1710** (brushed finish)  
**800-1711** (polished finish)  
**800-1713** (structured BLACK finish)

Material: Stainless Steel r304  
Cartridge: No

Cleaning: JEE-O protect  
Connection: G 1/2" nylon<sup>(out)</sup>/epdm<sup>(in)</sup> flexhose  
with brass swivel

Dimension package: L 31 x W 22.5 x H 8 cm

Weight: 1.15 kg / 2.5 lbs  
Package weight: 0,25 kg / 0.55 lbs

2 year warranty

HS code: 84818011900