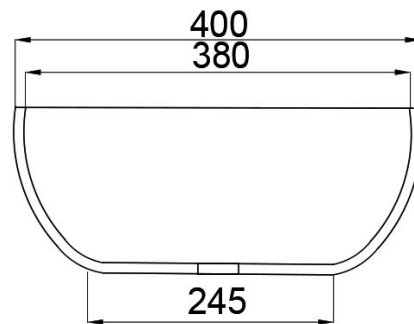
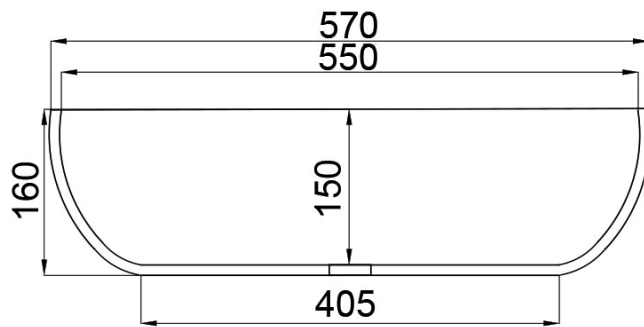
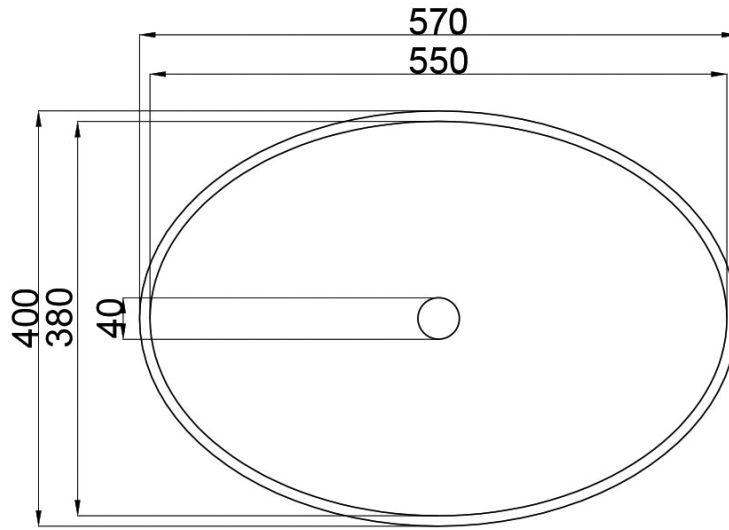




# JEE-O by DADO moloko basin specifications



Article code:	<b>SWMBAS20</b> Topmounted or underslung	Dimension package:	L 600 x W 455 x H 190 mm L 23.6 x W 17.9 x H 7.5"
Material:	DADOquartz - Scratch & abrasion resistant	Package weight:	5kg /11.0lb
Color:	Pearl white matt finish	UV stability:	6 / BSEN438
Waste diameter:	40mm	25 year warranty	
Dimensions:	L 570 x W 400 x H 160 mm L 22.4 x W 15.7 x H 6.3"	HS code:	69109000
Basin rim:	21-23mm /0.8-0.9"		
Net weight:	15kg /33.0lb		

Note: cast products are subject to size variation of +/- 5 %

