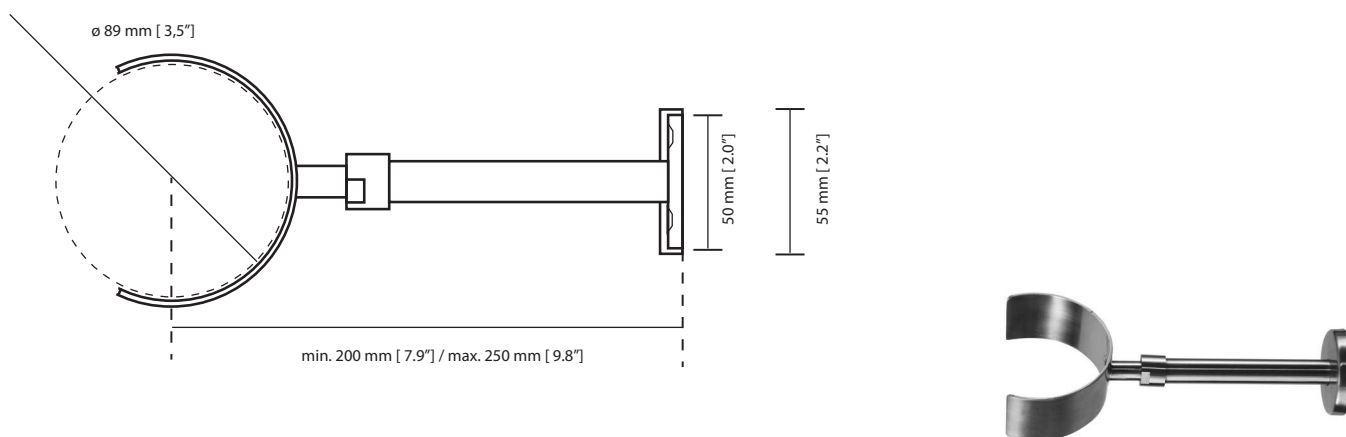




JEE-O fatline wall bracket specifications



Article code: **201-6000** (brushed finish)
201-6001 (polished finish)
Material: Stainless Steel r304
Cleaning: JEE-O protect

Dimension package: L 25 x W 15,5 x H 14 cm

Weight: 0.4 kg / 0.9 lbs
Package weight: 0.1 kg / 0.2 lbs

2 year warranty

HS code: 84818011900