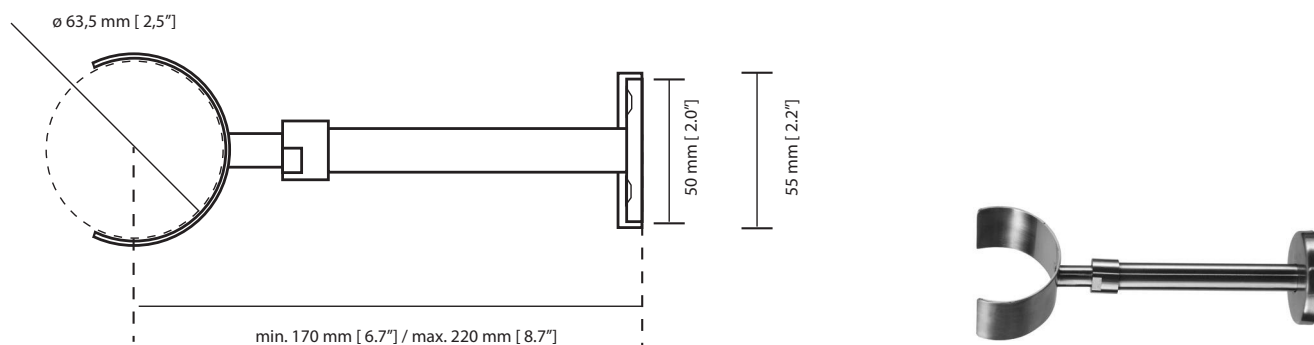




# JEE-O original/pure wall bracket specifications



Article code: **101-6000** (brushed finish)  
**101-6001** (polished finish)  
Material: Stainless Steel r304  
CleanCleaning: JEE-O protect

Dimension package: L 25 x W 15,5 x H 14 cm

Weight: 0.4 kg / 0.8 lbs  
Package weight: 0.1 kg / 0.2 lbs

2 year warranty

HS code: 84818011900