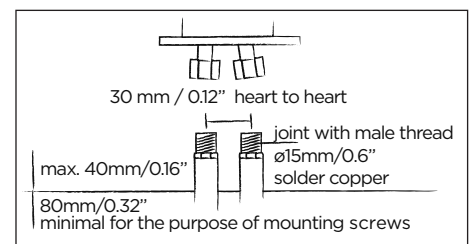
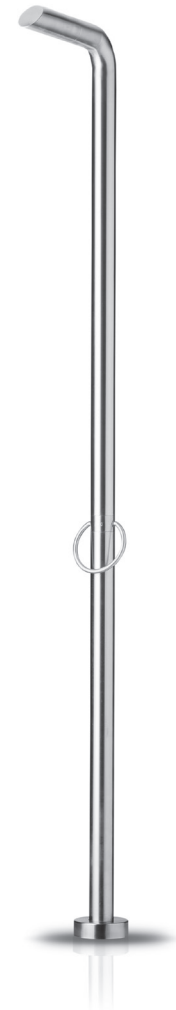
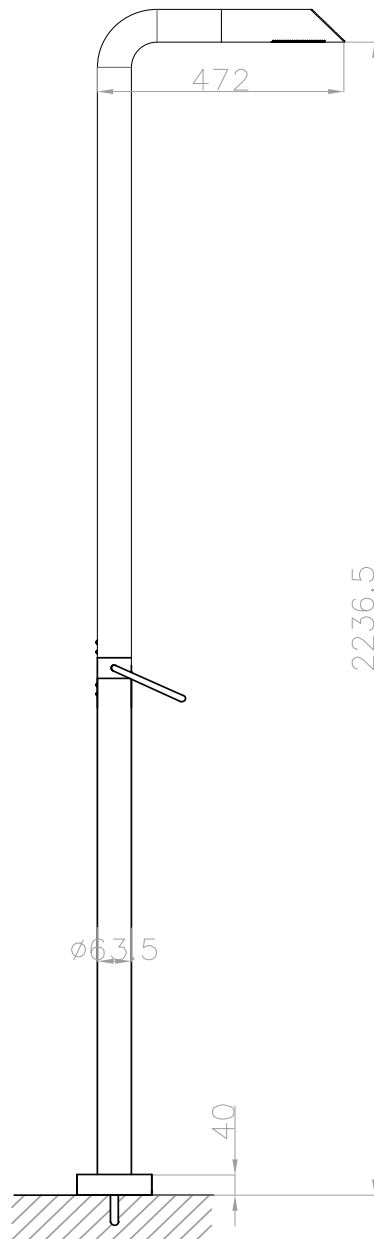
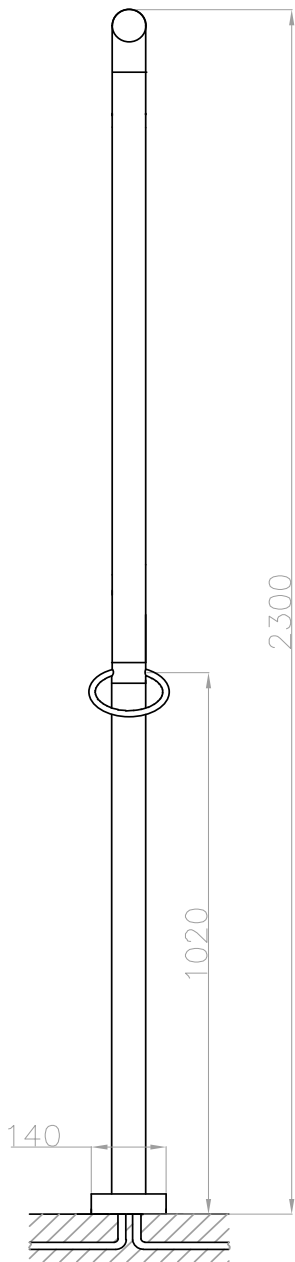




JEE-O pure shower 01 specifications

by Lammer Moerman



Article code: **300-6100** (brushed finish)
300-6101 (polished finish)

Material: Stainless Steel r304
 Cartridge: Sedal ceramic mixing mechanism (35mm)

Cleaning: JEE-O protect
 Connection: nylon^(out)/epdm⁽ⁱⁿ⁾ flexhose with brass swivel

Flow at water of 38°C / 100,4°F: 12l / 3,2gal p/m at 3bar pressure

Dimension package: L 158 x W 18 W 54 x H 16 cm

Weight: 11.5 kg / 25.4 lbs
 Package weight: 2.0 kg / 4.4 lbs

Placing on a water-tight floor

2 year warranty

HS code: 84818011900

