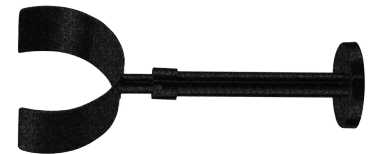
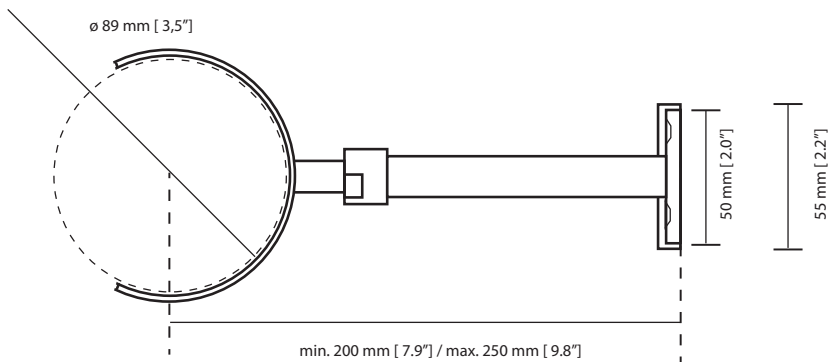




JEE-O by DADO

# JEE-O soho wall bracket specifications



Note:  
UV radiation and extreme temperature  
can affect the color and structure of the  
JEE-O fatline wall bracket surface.

Article code:	<b>701-6002</b> <b>701-6000</b> (RAW version)	Dimension package:	L 25 x W 15,5 x H 14 cm
Material:	Stainless Steel r304	Weight:	0.4 kg / 0.9 lbs
Coating:	hammercoat black (1.5) Electro powder spray	Package weight:	0.1 kg / 0.2 lbs
Cleaning:	cleaning vinegar or alcohol	2 year warranty	
		HS code: 8481801900	