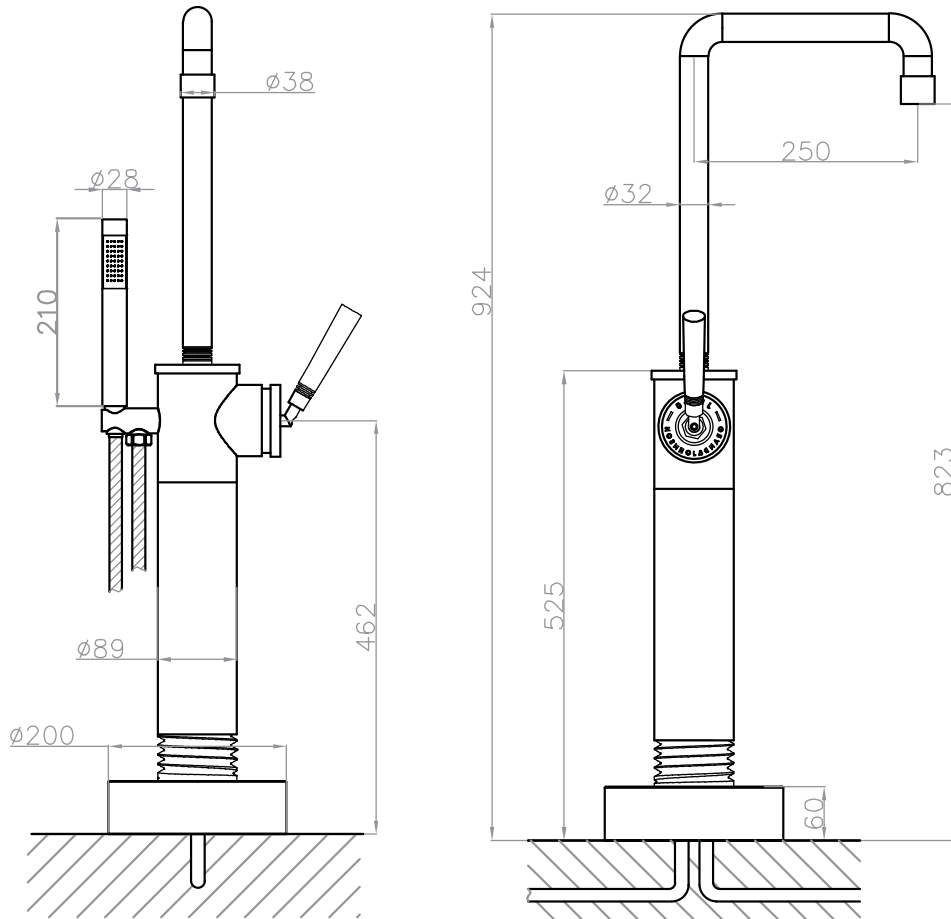
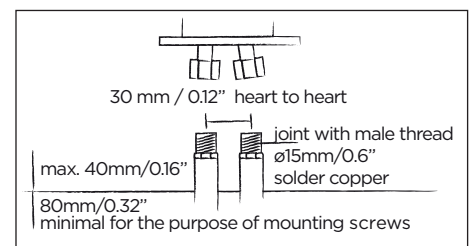
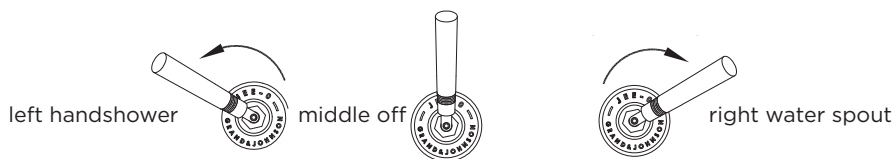




# JEE-O soho bath mixer specifications



Note:  
UV radiation and extreme temperature can affect the color and structure of the JEE-O soho bath surface.



Article code:

**700-3110**

● Brushed stainless steel - **RAW**

**700-3112**

● Hammercoated black matt

**700-3118** green RAL 6003

● Powder coating matt

**700-3119** grey RAL 7040

● Powder coating matt

Material:

Stainless Steel r304

Coating:

1.5 Electro powder spray

Cartridge:

Kerox ceramic mixing mechanism (progressive), item code **005-0203**

Cleaning:

cleaning vinegar or alcohol

Flexhose:

150 cm length

Flow at water of 38°C / 100,4°F:

11l / 2,9gal p/m at 3bar presure

Connection:

2 x G 1/2" (ø15mm / 0.6")  
nylon<sup>(out)</sup>/epdm<sup>(in)</sup> flexhose  
with brass swivel  
British Standard Pipe (BSP)

Thread:

Dimension package:

L 103 x W 59 x H 22 cm

Weight:

11.2 kg

Package weight:

2.6 kg

Placing on a water-tight floor

2 year warranty

HS code: 84818011900

