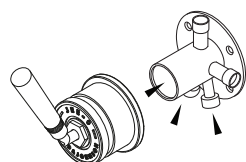
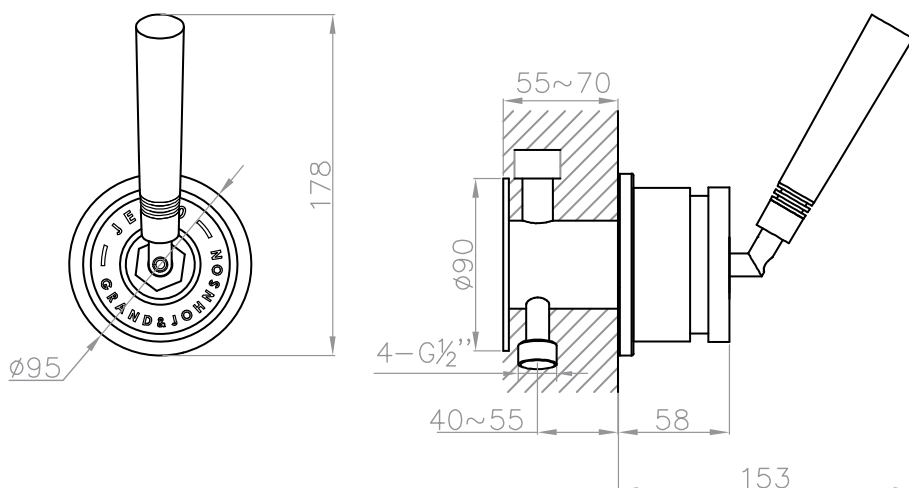




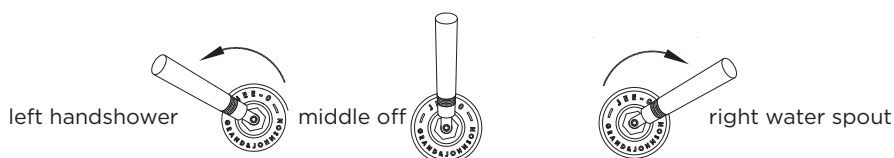
JEE-O soho mixer specifications two way valve version



inlet hot inlet cold



Note:
UV radiation and extreme temperature can affect the color and structure of the JEE-O soho surface.



Article code:

700-2200

● Brushed stainless steel - **RAW**

700-2202

● Hammercoated black matt

700-2208 green RAL 6003

● Powder coating matt

700-2209 grey RAL 7040

● Powder coating matt

Material:

Stainless Steel r304

Coating:

1.5 Electro powder spray

Cartridge:

Kerox ceramic mixing mechanism (progressive), item code **005-0203**

Cleaning:

cleaning vinegar or alcohol

Flow at water of 38°C / 100,4°F:

10l / 2,6gal p/m at 3bar pressure

Connection:

Thread: 4 x G 1/2" (ø15mm / 0.6")

British Standard Pipe (BSP)

Dimension package:

L 28 x W 20 x H 14 cm

Weight:

2.8 k

Package weight:

0.3 kg

2 year warranty

HS code: 8481801900