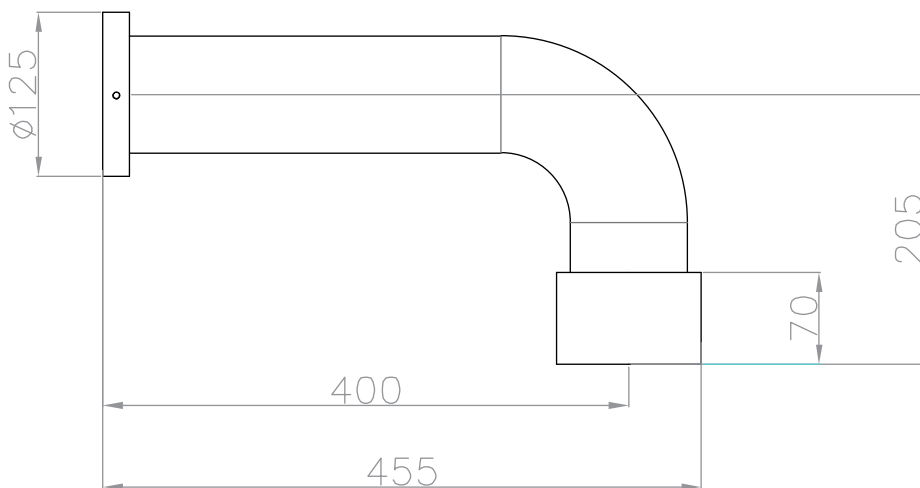
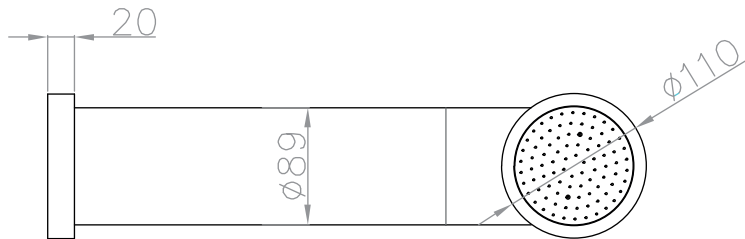




JEE-O soho wall shower specifications



Note:
UV radiation and extreme temperature
can affect the color and structure of the
JEE-O soho wall surface.

Article code:

700-6900

● Brushed stainless steel - **RAW**

700-6902

● Hammercoated black matt

700-6908 green RAL 6003

● Powder coating matt

700-6909 grey RAL 7040

● Powder coating matt

Material:

Stainless Steel r304

Coating:

1.5 Electro powder spray

Cleaning:

cleaning vinigar or alcohol

Connection:

G 1/2" (ø15mm / 0.6")
nylon^(out)/epdm⁽ⁱⁿ⁾ flexhose
with brass swivel
British Standard Pipe (BSP)

Thread:

Dimension package:

L 52 x W 34 x H 19 cm

Weight:

3.8 kg

Package weight:

0.4 kg

2 year warranty

HS code: 8481801900