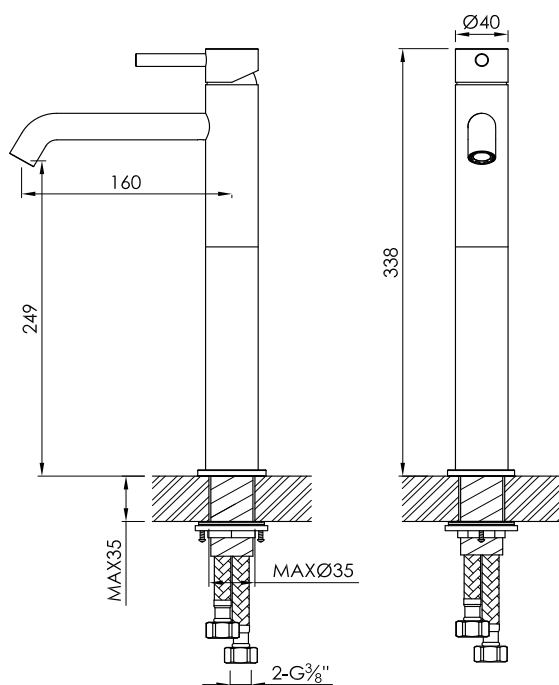




# JEE-O slimline basin mixer high specifications



Note:  
UV radiation and extreme temperature  
can affect the color and structure of the  
surface of the structured black version.

Article code:

**800-1750**

● brushed stainless steel

**800-1753**

● structured black stainless steel

Material:

Stainless Steel r304

Cartridge:

Sedal ceramic mixing mechanism (35mm),  
item code **005-0101**

Cleaning:

JEE-O protect

Connection:

2 x G 3/8" (ø10mm / 0.4")  
nylon<sup>(out)</sup>/epdm<sup>(in)</sup> flexhose  
with brass swivel  
British Standard Pipe (BSP)

Thread:

Dimension package:  
Total weight:  
Package weight:

L 51 x W 23,5 x 8,5cm  
2.5 kg  
0.4 kg

2 year warranty

HS code:

84818011900