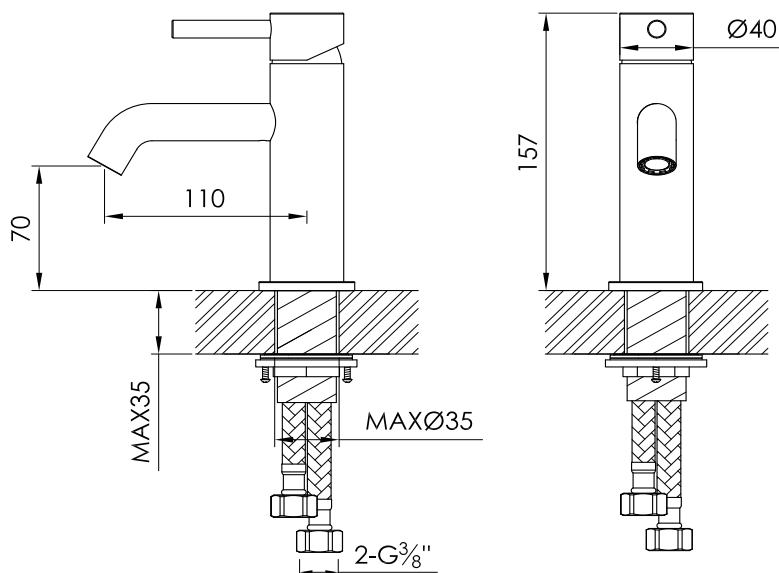




# JEE-O slimline basin mixer low specifications



Note:  
UV radiation and extreme temperature  
can affect the color and structure of the  
surface of the structured black version.

Article code:	<b>800-1700</b> ● brushed stainless steel	Connection:	2 x G 3/8" (ø10mm / 0.4") nylon <sup>(out)</sup> /epdm <sup>(in)</sup> flexhose with brass swivel
	<b>800-1703</b> ● structured black stainless steel	Thread:	British Standard Pipe (BSP)
Material:	Stainless Steel r304	Dimension package:	L 31 x W 22.5 x H 8 cm
Cartridge:	Sedal ceramic mixing mechanism (35mm), item code <b>005-0101</b>	Total weight:	1.37 kg
Cleaning:	JEE-O protect	Package weight:	0.29 kg
		2 year warranty	
		HS code:	84818011900