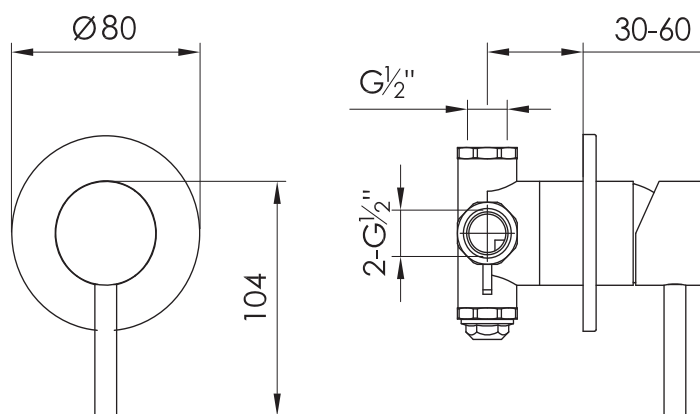




JEE-O slimline mixer O1 small specifications



Note:
UV radiation and extreme temperature
can affect the color and structure of the
surface of the **structured BLACK** version.

Article code:

800-2400

● brushed stainless steel

800-2403

● structured black stainless steel

Material:
Cartridge:

Stainless Steel r304
Sedal ceramic mixing mechanism (40mm),
item code **005-0102**

Cleaning:

JEE-O protect

Connection:
Thread:

3 x G 1/2" (ø15mm / 0.6")
British Standard Pipe (BSP)

Dimension package:
Total weight:
Package weight:

L 23 x W 15 x H 16 cm
1.26 kg
0,27 kg

2 year warranty

HS code:

84818011900