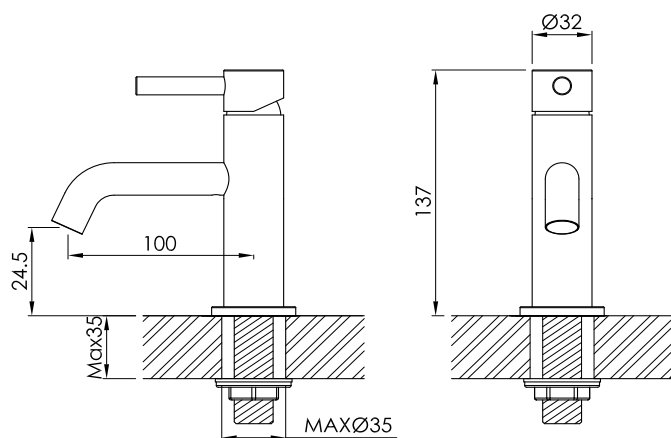




JEE-O slimline pillar tap specifications



Note:
UV radiation and extreme temperature
can affect the color and structure of the
surface of the structured black version

Article code:	800-1710 ● brushed stainless steel	Connection:	G 1/2" (Ø15mm / 0.6") nylon ^(out) /epdm ⁽ⁱⁿ⁾ flexhose with brass swivel
	800-1713 ● structured black stainless steel	Thread:	British Standard Pipe (BSP)
Material:	Stainless Steel r304	Dimension package:	L 31 x W 22.5 x H 8 cm
Cartridges:	JEE-O ceramic valve, item code 005-0403	Total weight:	1,15 kg
Cleaning:	JEE-O protect	Package weight:	0,25 kg
		2 year warranty	
		HS code:	84818011900