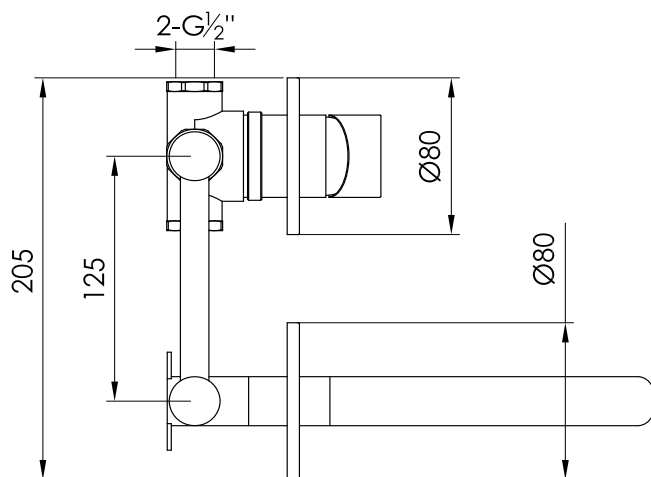
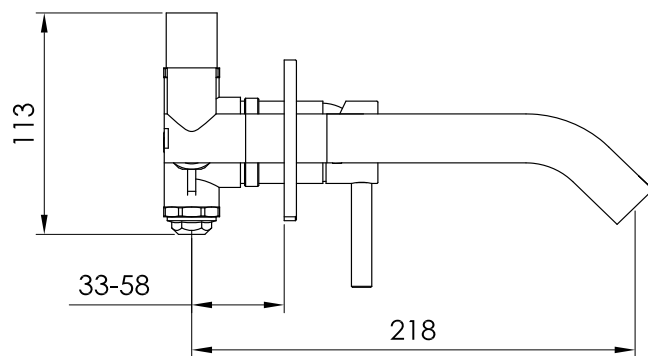




JEE-O slimline wall basin mixer specifications



Note:
UV radiation and extreme temperature
can affect the color and structure of the
surface of the structured black version.

| | | | |
|--------------------------------|---|--|--|
| Article code: | 800-1500 ● brushed stainless steel | Connection: Thread: | 2 x G 1/2" (ø15mm / 0.6") British Standard Pipe (BSP) |
| | 800-1503 ● structured black stainless steel | Dimension package: Total weight: Package weight: | L 26 x W 27 x H 17cm 2.2 kg 0.82 kg |
| Material: | Stainless Steel r304 | | 2 year warranty |
| Cartridge: | Sedal ceramic mixing mechanism (35mm), item code 005-0101 | | |
| Cleaning: | JEE-O protect | | |
| Flow at water of 38°C/100,4°F: | 11l /2.9gal p/m at 3bar presure | HS code: | 84818011900 |