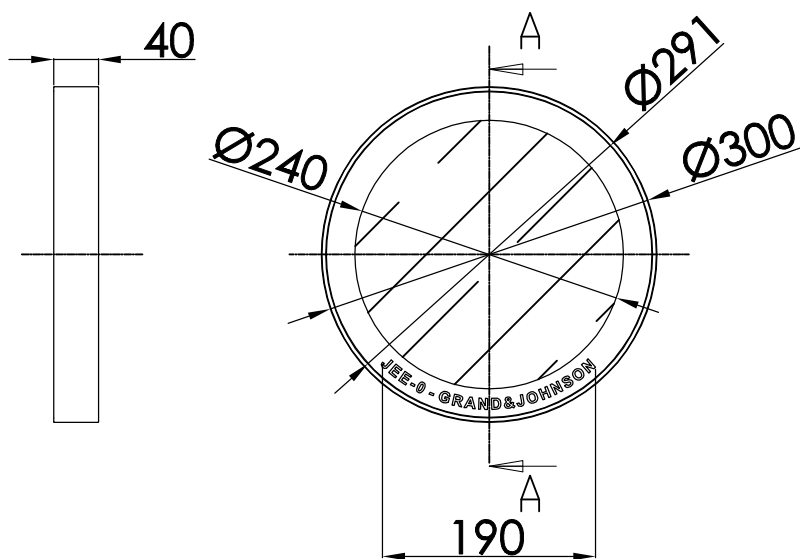




# JEE-O soho mirror 30 specifications



Note:  
UV radiation and extreme temperature  
can affect the color and structure of the  
JEE-O soho wall surface.

Article code:

- 701-0110**  
● Brushed stainless steel - **RAW**
- 701-0112**  
● Hammercoated black matt
- 701-0118** green RAL 6003  
● Powder coating matt
- 701-0119** grey RAL 7040  
● Powder coating matt

Dimension package: L33,5 x B33,5 x H7,5 cm  
Total weight: 1,86 kg  
Package weight: 0.21 kg

2 year warranty

Material:  
Coating:

Stainless Steel r304  
1.5 Electro powder spray

Cleaning:

soapwater or alcohol

HS code: 84818011900