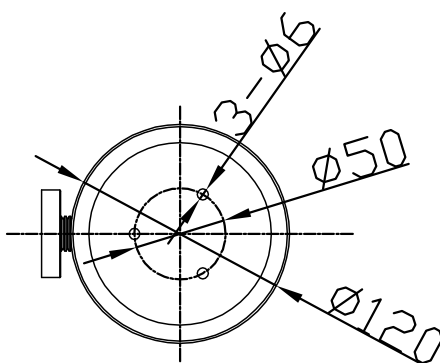
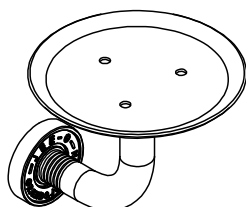
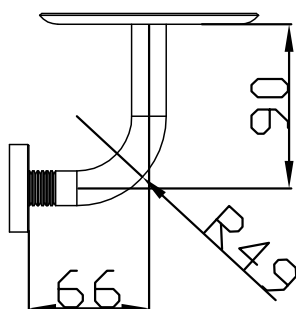
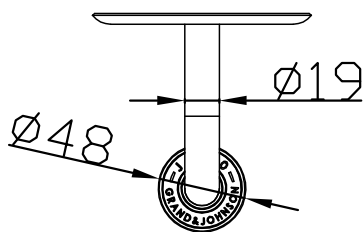




JEE-O soho soap dish specifications



Note:
UV radiation and extreme temperature
can affect the color and structure of the
JEE-O soho wall surface.

Article code:

701-0090 (RAW version)
● Brushed stainless steel - **RAW**

701-0092
● Hammercoated black matt

701-0098 green RAL 6003
● Powder coating matt

701-0099 grey RAL 7040
● Powder coating matt

Material:

Stainless Steel r304

Coating:

hammercoat black (1.5) Electro powder spray

Cleaning:

soapwater or alcohol

Dimension package:

L13 x B13 x H9 cm

Total weight:

0.37 kg

Package weight:

0.05 kg

2 year warranty

HS code:

84818011900